

**TRB** BUILD TO  
LAST

# TRB MOBILE FLEX POWER FAMILY



# MOBILE FLEX POWER FAMILY

Energy and water are goods that are not available to every person anywhere in the world. Especially in sparsely populated areas far from centers, the supply of energy and water is still a problem. Supplying energy and water is often a challenge, especially for crisis areas and temporary settlements of large numbers of people (refugee camps). Here, TRB wants to help with its Mobile Flex Power and Water systems.

The Mobile Flex Family consists of

1	Mobile Flex Power Hydro system, which purifies raw or salted water to drinking water and provides additionally power through photo voltaic backed-up with a Diesel generator and
2	Mobile Flex Power Diesel/PV, is a system which supplies power by using photo voltaic backed-up by a Diesel generator.

## MOBILE FLEX POWER HYDRO

is a mobile decentralized energy generator unit combined with water treatment technologies in an ISO standard container (20ft or 40ft). It offers a complete mobile solution for access to drinking water and electrical power in remote areas.

It can be customized and tailored to a wide range of different applications (Commercial, Military and Humanitarian).

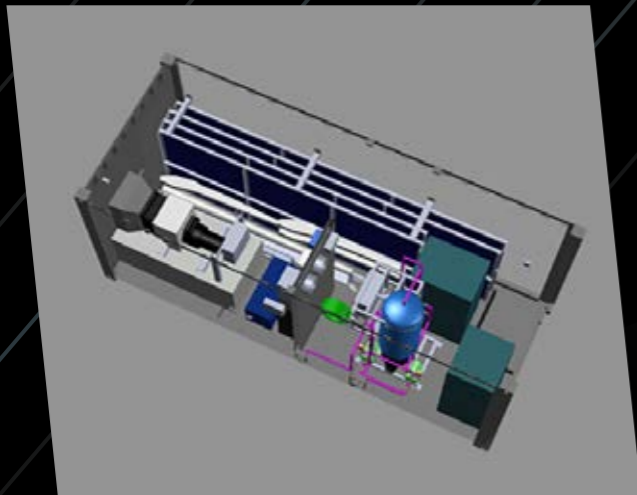


# MOBILE FLEX POWER HYDRO

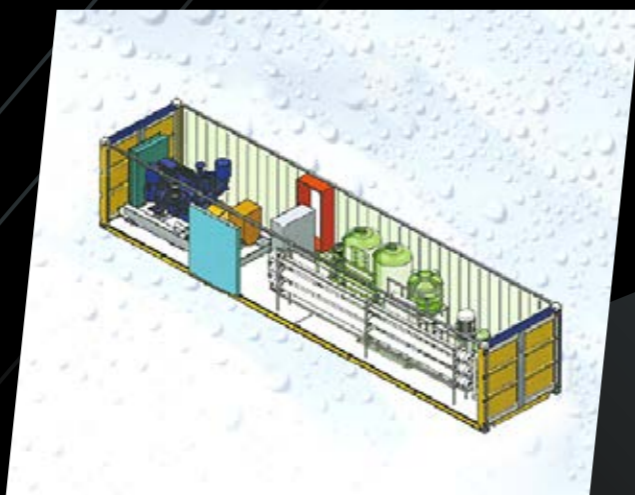
The Mobile Flex Power Hydro can operate two technologies: groundwater treatment & seawater desalination to provide drinking water according WHO-standards.



For these purposes TRB has designed two options:

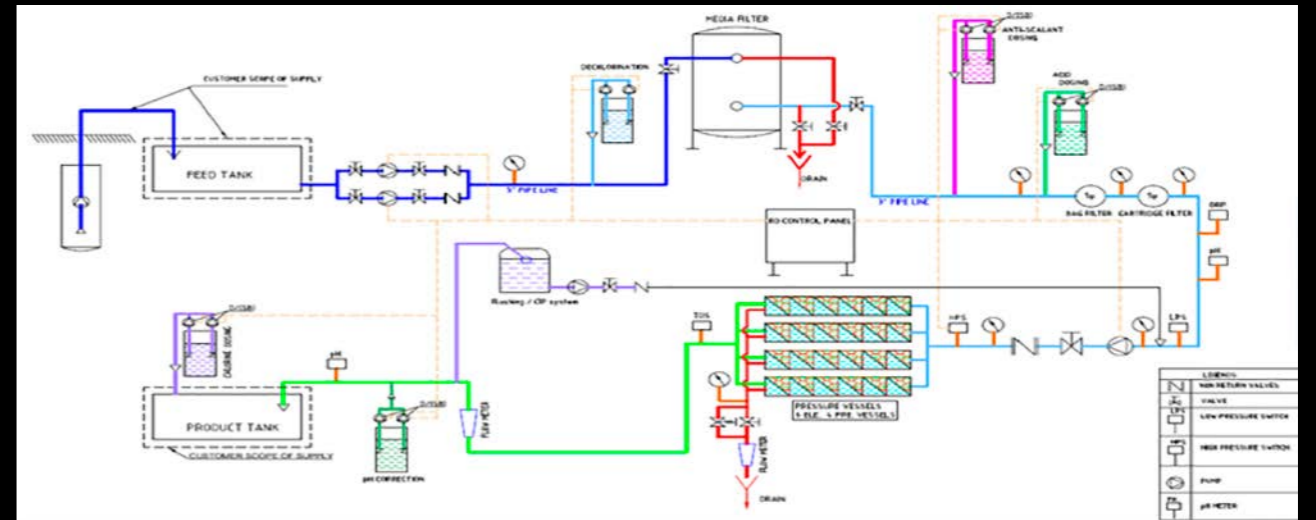


Groundwater treatment solution (PV modules in transport position)



Seawater desalination treatment

For the elaborated process of desalination TRB uses the Reverse Osmosis and Ultrafiltration technology:



# MOBILE FLEX POWER DIESEL

is a mobile decentralized energy generator unit combined with water treatment technologies in an ISO standard container (20ft or 40ft). It offers a complete mobile solution for access to drinking water and electrical power in remote areas.

It can be customized and tailored to a wide range of different applications (Commercial, Military and Humanitarian).



## OVERVIEW OF THE DIFFERENT PERFORMANCE LEVELS OFFERED BY TRB

Maximum clean water capacity using different mode of connection (liter/day)

Product Portfolio	MODE OF CONNECTION	RAW WATER QUALITY	
		Groundwater	Seawater
	Connection to Grid	500,000	300,000
	Connection to Grid/PV	500,000	300,000
	Diesel	500,000	300,000
	Diesel/PV/Battery	80,000	25,000
	Diesel/PV/Wind/Battery	under development	under development

Power output and clean water capacity by using of selected diesel generators

Model	Diesel GENSET Power	Power for external use	Drinking water output	ISO Container
	kW	kW	l/day	ft
TRB 32/23	32	max. 20	23,000	20
TRB 108/100	108	max. 35	100,000	40
TRB 224/250	224	max. 134	250,000	40
TRB 280/375	280	max. 181	375,000	40

## FEATURES OF THE MOBILE FLEX POWER FAMILY

1	Independent access to Power and Water in remote areas 24/7
2	Plug & Operate
3	Modular Construction System
4	2 separate sections for reverse osmosis and power generation
5	Fully automatic operation
6	Permanent monitoring of water quality
7	Two feeders for external power use
8	Raw salinities up to 4000 ppm
9	Tailor made solutions
10	Extension of Power & Water Capacity
11	Operate & Maintenance support all over the world
12	Training for operator and service personnel
13	Operator and service manuals
14	Set of essential spare parts and consumables included
15	Spare parts supply worldwide
16	Post Design Services



TRB

Tehnički Remont  
Bratunac

Podgradačka 11  
75420, Bratunac  
Republika Srpska  
Bosnia and Herzegovina  
T: +387 56 410 800  
info@trb.ba  
www.trb.ba