



FUZES

FOR MILITARY USE

FUZE PIBD-G17L40

FOR 40x46mm HE AND HEDP AMMUNITION

The Fuze PIBD-G17L40 is designed for use in 40 mm LV HE and HEDP 40x46 ammunition.

Fuze PIBD-G17L40 is a mechanical, nose, point detonating impact fuze with super-quick action and distant arming (SAM-G17CL clock delay mechanism).

The fuze features a highly sensitive impact mechanism and functions on solid and soft ground.

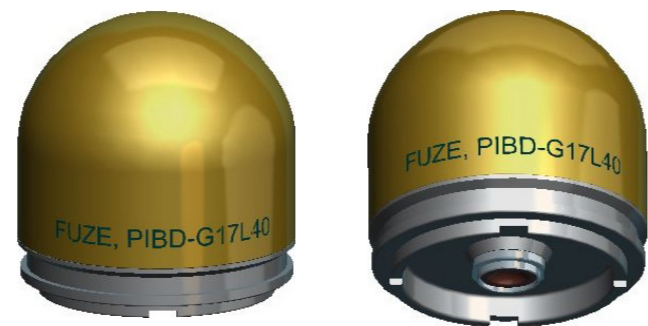
The Fuze has a safety mechanism which interrupts the initial chain making it safe during storage, handling and use. It ensures the safety and reliability of munitions in all weather conditions.

BASIC FEATURES

Action: **PIBD Super-Quick**
Arming: **Inertial and centrifugal force at a distance**
Muzzle safety distance: **> 14 m**
Arming distance: **< 28m**
Storage temperature range: **-53,8°C to +73,9°C**
Firing temperature range: **-42,8°C to +51,6°C**
Safety type:
In accordance with MIL-STD-1316D
Acceleration: **min 5.000 g**
Rotation: **min 3.600 rpm**
Environmental effects:
In accordance with MIL-STD-331C

TECHNICAL DATA

Length of Fuze (max): **38 mm**
Intrusion length (max): **5 mm**
External diameter (max): **40.6 mm**
Weight of Fuze (max): **54 g**
Shelf life: **15 years**
Airtightness: **Airtight**



FUZE PIBD-G17H40

FOR 40x53mm HE AND HEDP AMMUNITION

The Fuze PIBD-G17H40 is designed for use in 40mm HV HE and HEDP 40x53 ammunition.

Fuze PIBD-G17H40 is a mechanical, nose, point detonating impact fuze with super-quick action and distant arming (SAM-G17CH clock delay mechanism).

The fuze features a highly sensitive impact mechanism and functions on solid and soft ground.

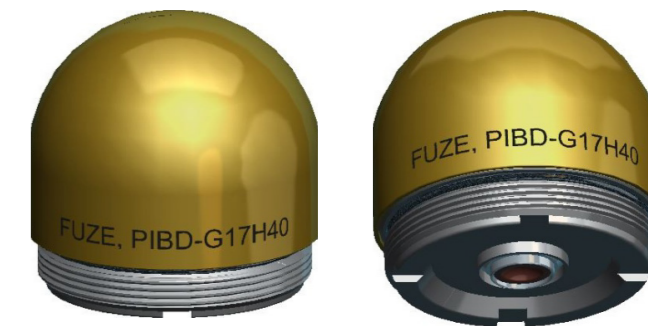
The Fuze has a safety mechanism which interrupts the initial chain making it safe during storage, handling and use. It ensures the safety and reliability of munitions in all weather conditions.

BASIC FEATURES

Action: **PIBD Super-Quick**
Arming: **Inertial and centrifugal force at a distance**
Muzzle safety distance: **18 - 0.5 m**
Arming distance: **40 - 1 m**
Storage temperature range: **-53,8°C to +73,9°C**
Firing temperature range: **-42,8°C to +51,6°C**
Safety type:
In accordance with MIL-STD-1316D
Acceleration: **min 18.000 g**
Rotation: **min 6.000 rpm**
Environmental effects:
In accordance with MIL-STD-331C

TECHNICAL DATA

Length of Fuze (max): **36.4 mm**
Intrusion length (max): **7.6 mm**
External diameter (max): **40.65 mm**
Thread size: **1 15/32-24 UNS-2A**
Weight of Fuze (max): **62 g**
Shelf life: **15 years**



PD-G17R1-SQD

The fuze PD-G17R1-SQD is a point detonating, mechanical fuze with Super-Quick and Delay action. The fuze features a highly sensitive impact mechanism and functions on solid and soft ground.

The Fuze has a safety mechanism which interrupts the initial chain making it safe during storage, handling and use.

It ensures the safety and reliability of munitions in all weather conditions.

The Fuze completes 122 mm HE artillery rocket, launched from "GRAD" MLR system.

BASIC FEATURES

Action: **"S" - Super-quick**
"M" - Short delay from 0,001 to 0,005 sec
"D" - Long delay from 0,007 to 0,013 sec
 Arming: **Acceleration**
 Storage temperature range: **-53°C to +74°C**
 Firing temperature range: **-40°C to +50°C**
 Shelf life: **15 years**

PACKING

The Fuze is packed in a sealed plastic box.
 28 plastic boxes in a wooden case:
640x360x290 mm
 Gross weight: **32 kg**
 Volume: **0,067 m³**

TECHNICAL DATA

Safety type:
In accordance with MIL-STD-1316 B
 Acceleration: **min 250 m/s²**
 Drop safety: **> 3 m**
 Environmental effects:
In accordance with MIL-STD-331 C
 Airtightness: **Airtight**
 Length of Fuze (max): **195 mm**
 Intrusion length (max): **54 mm**
 External diameter (max): **64 mm**
 Weight of Fuze (max): **730 g**
 Weight of Booster pellet (max): **29 g**



ELECTRONIC MULTI-FUNCTION MF-G15R1

The fuze is a radio Proximity fuze (Doppler effect) with electronic time and PD back-up function.

Fuze intended for rocket projectile of 122 mm.

PACKING

Packaged according to customer requirements

BASIC FEATURES

Action: **Proximity (1-15 m);**
Time (0-200 sec);
PD back-up
 Arming: **Acceleration and Spin**
 Storage temperature range:
-53°C to +74°C
 Firing temperature range:
-40°C to +54°C
 Power supply: **Lithium reserve battery**
 Time setting: **Non contact Time device**
 Shelf life: **10 years**

TECHNICAL DATA

Safety type:
In accordance with MIL-STD-1316 B
 Acceleration: **min 250 m/s²**
 Rotation: **min 350 rpm**
 Drop safety: **3 m**
 Environmental effects:
In accordance with MIL-STD-331 C
 Airtightness: **Airtight**
 Length of Fuze (max): **233 mm**
 Intrusion length (max): **54 mm**
 External diameter (max): **64 mm**
 Thread size: **M45x2**
 Weight of Fuze (max): **820 g**
 Weight of Booster pellet (max): **27 g**



ARTILLERY FUZE

PD-G17A1-SQ

Fuze PD-G17A1-SQ is designed for use in HE ammunition 76, 85, 90, 100, 105, 122, 130, 152 and 155 mm.

Fuze PD-G17A1-SQ is a mechanical, nose, point detonating impact fuze with super-quick action and distant arming. The fuze features a highly sensitive impact mechanism and functions on the solid and soft ground. The Fuze has a safety mechanism which interrupts the initial chain making it safe during storage, handling and use. It ensures the safety and reliability of munitions in all weather conditions.

PACKING

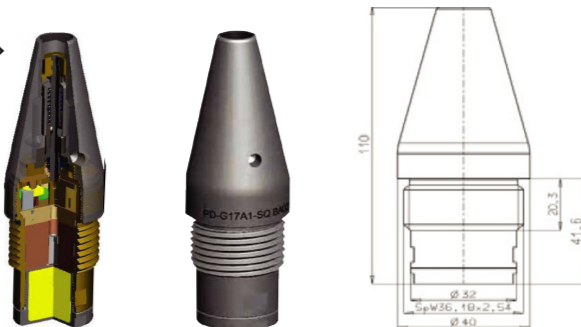
Fuze in hermetic plastic box and 82 pieces in a wooden case

BASIC FEATURES

Action: **Super-Quick**
 Arming: **Inertial and centrifugal force at a distance**
 Muzzle safety distance: **30 m**
 Storage temperature range: **-53°C to +74°C**
 Firing temperature range: **-43°C to +54°C**
 Shelf life: **15 years**

VISIBLE:

▶ armed ▶ not armed



TECHNICAL DATA

Safety type:
In accordance with MIL-STD-1316 B
 Acceleration: **min 2.500 g**
 Rotation: **min 3.000 rpm**
 Environmental effects:
In accordance with MIL-STD-331 C
 Airtightness: **Airtight**
 Length of Fuze (max): **110 mm**
 Intrusion length (max): **41.6 mm**
 External diameter (max): **40 mm**
 Thread size: **Spw 36,18x10 threads on 25,4 mm cl.2**
 Weight of Fuze (max): **400 g**
 Weight of Booster pellet (max): **14 g**

ARTILLERY FUZE

PD-AG17A1-SQD

Fuze PD-AG17A1-SQD is designed for use in HE shells cal 76, 85, 100, 122, 130 and 152 mm.

Fuze PD-AG17A1-SQD is a mechanical, nose, point detonating impact fuze with super-quick and delay action. Action selection by turning of sleeve and removing cap.

The fuze features highly sensitive impact mechanism and function on the solid and soft ground. The Fuze has a safety mechanism which interrupts the initial chain making it safe during storage, handling and use. It ensures the safety and reliability of munitions in all weather conditions.



BASIC FEATURES

Action: **Super-Quick, Delay from 0,02 to 0,05 sec**
 Arming: **Inertial and centrifugal force at a distance**
 Muzzle safety distance: **Not less than 10 m**
 Storage temperature range: **-53°C to +74°C**
 Firing temperature range: **-43°C to +54°C**
 Shelf life: **15 years**

PACKING

Fuze in hermetic plastic box and 82 pieces in a wooden case.
 Dimensions of the wooden case is: **518x290x297 (mm)**

TECHNICAL DATA

Safety type:
In accordance with MIL-STD-1316 B
 Acceleration: **min 2.500 g**
 Rotation: **min 3.000 rpm**
 Environmental effects:
In accordance with MIL-STD-331 C
 Airtightness: **Airtight**
 UN and hazard Code: **0409 1.2D**
 Length of Fuze (max): **105,7 mm**
 Intrusion length (max): **46,8 mm**
 External diameter (max): **40 mm**
 Thread size: **SpW36,18x10 threads on 25,4mm cl.2**
 Weight of Fuze (max): **440 g**
 Weight of Booster pellet (max): **12,5 g**

ARTILLERY FUZE

PD-G18A1-SQD

Fuze PD-G18A1-SQD is designed for use in HE shells cal. 105 mm and 155 mm.

Fuze PD-G18A1-SQD is a mechanical, nose, point detonating impact fuze with super-quick and delay action.

Action selection by turning of sleeve and removing cap. The fuze features highly sensitive impact mechanism and functions on the solid and soft ground.

The Fuze has a safety mechanism which interrupts the initial chain making it safe during storage, handling and use. It ensures the safety and reliability of munitions in all weather conditions.

BASIC FEATURES

Action: **Super-Quick, Delay 0,02 to 0,05 sec**
 Arming: **Inertial and centrifugal force at a distance**
 Muzzle safety distance: **Not less than 10 m**
 Storage temperature range: **-53°C to +74°C**
 Firing temperature range: **-43°C to +54°C**
 Shelf life: **15 years**

PACKING

Fuze in plastic box
 Sixteen (16) fuzes in a wooden case

TECHNICAL DATA

Safety type:
In accordance with MIL-STD-1316 B
 Acceleration: **min 25.000 m/s²**
 Rotation: **min 3.000 rpm**
 Environmental effects:
In accordance with MIL-STD-331 C
 Airtightness: **Airtight**
 Length of Fuze (max): **154 mm**
 Intrusion length (max): **56 mm**
 External diameter (max): **61 mm**
 Thread size: **2"-12UNS-1A**
 Weight of Fuze (max): **770 g**
 Weight of Booster pellet (max): **50 g**



ARTILLERY FUZE

PD-G16A1-SQD

The fuze PD-G16A1-SQD is point detonating, mechanical fuze with super-quick and Delay action. Action selection by turning sleeve.

Two independent mechanical safety devices activated by setback and rotation.

Fuze PD-G16A1-SQD designed for use in ammunition for:

- ▶ guns of 75 mm through 155 mm,
- ▶ rifles of 75 mm and 105 mm,
- ▶ howitzers of 75 mm through 8 inch,
- ▶ 4.2 inch mortars.

BASIC FEATURES

Action: **Super-Quick, Delay 0,05 sec**
 Arming: **Inertial and centrifugal force at a distance**
 Muzzle safety distance: **Not less than 30 m**
 Storage temperature range: **-53°C to +74°C**
 Firing temperature range: **-43°C to +54°C**
 Shelf life: **15 years**

PACKING

Packaged according to customer requirements

TECHNICAL DATA

Safety type:
In accordance with MIL-STD-1316 B
 Acceleration: **min 10.000 m/s²**
 Rotation: **min 1.500 rpm**
 Drop safety: **3 m**
 Environmental effects:
In accordance with MIL-STD-331 C
 Airtightness: **Airtight**
 Length of Fuze (max): **151 mm**
 Intrusion length (max): **55 mm**
 External diameter (max): **60 mm**
 Thread size: **2" 12UNS 1A**
 Weight of Fuze (max): **860 g**
 Weight of Booster pellet (max): **23 g**



ARTILLERY FUZE

PD-G17A1R-SQD

The fuze PD-G17A1R-SQD is a point detonating, mechanical fuze with super-quick and Delay action. Action selection by turning sleeve.

Two independent mechanical safety devices activated by setback and rotation. The crossbar and holder assembly is a rain repellent sleeve that allows firing in heavy rain with reduced probability of downrange premature functioning.

Fuze PD-G17A1R-SQD designed for use in ammunition for:

- ▶ guns of 75 mm through 155 mm,
- ▶ rifles of 75 mm and 105 mm,
- ▶ howitzers of 75 mm through 8 inch
- ▶ 4.2 inch mortars.

BASIC FEATURES

Action: **Super-Quick, Delay 0,05 sec**
 Arming: **Inertial and centrifugal force at a distance**
 Muzzle safety distance: **Not less than 30 m**
 Storage temperature range: **-53°C to +74°C**
 Firing temperature range: **-43°C to +54°C**
 Shelf life: **15 years**

PACKING

Packaged according to customer requirements


TECHNICAL DATA

Safety type:
In accordance with MIL-STD-1316 B
 Acceleration: **min 10.000 m/s²**
 Rotation: **min 1.800 rpm**
 Drop safety: **3 m**
 Environmental effects:
In accordance with MIL-STD -331 C
 Airtightness: **Airtight**
 Length of Fuze (max): **151 mm**
 Intrusion length (max): **55 mm**
 External diameter (max): **60 mm**
 Thread size: **2" 12UNS 1A**
 Weight of Fuze (max): **690 g**
 Weight of Booster pellet (max): **21 g**

ARTILLERY FUZE

ELECTRONIC MULTI-FUNCTION MF-G20A1

The MF-G20A1 fuze is a multi-function fuze designed for use on 105 to 155 caliber gun systems, to optimize the effectiveness of HE artillery rounds.

The MF-G20A1 fuze is particularly designed for use with any modern 155 mm field artillery howitzer, fitted with 52 caliber gun and automatic loading system. It provides proximity, point detonating, post-impact delay and time functions.

The various operational modes and related data can be selected by the user. The fuze is inductively set by fuze setters compliant with STANAG 4187


BASIC FEATURES

Operational mode (settable by non-contact setter unit):
Proximity (adjustable blocking time) Time
Impact (super quick)
Backup impact (super quick)
Delay (10, 50 or 150)ms*
 Arming: **Inertial and centrifugal force at a distance**
 Muzzle safety distance: **Not less than 100 m**
 Impact angles*: **20° to 70°**
 Height of burst*: **8±7m**
 Electronic safety time*: **3 s**
 Time of burst*: **3.2 s to 199.9 s with step of 0.1 s**
 Storage temperature range: **-53°C to +74°C**
 Firing temperature range: **-43°C to +54°C**
 Power supply: **Lithium reserve battery**
 Shelf life: **10 years**

* - adjustable per customer requirements

TECHNICAL DATA

Safety type:
In accordance with MIL-STD-1316 B
 Acceleration: **2.000g to 20.000 g**
 Rotation: **2.000 rpm to 25.000 rpm**
 Environmental effects:
In accordance with MIL-STD-331 C
 Airtightness: **Airtight**
 Length of Fuze (max): **152 mm**
 Intrusion length (max): **56,1 mm**
 External diameter (max): **61 mm**
 Thread size: **2" 12UNS-1A**

PACKING

Fuze in plastic box
 Sixteen (16) fuzes an a wooden case

MORTAR FUZE

PD-G17M1-SQ

The fuze PD-G17M1-SQ is suitable for 60 mm through 120 mm High-Explosive and smoke mortar bombs.

Fuze is a mechanical, nose, point-detonating fuze with super quick action. The Fuze has a highly sensitive impact mechanism and functions on solid ground, marshy ground and snow. A transport safety element is provided for safety in handling, shipment and parachuting.

The Fuze has a safety mechanism which interrupts the initial chain making it safe during storage, handling and use. It ensures the safety and reliability of munitions in all weather conditions.

BASIC FEATURES

Action: **Super-Quick, PD (Point detonation)**
 Arming: **Inertial at a distance**
 Muzzle safety distance: **Not less than 40 m**
 Storage temperature range: **-53°C to +74°C**
 Firing temperature range: **-40°C to +54°C**
 Shelf life: **15 years**

VISIBLE: →
 ▶ armed
 ▶ not armed



TECHNICAL DATA

Safety type: **In accordance with MIL-STD-1316 B**
 Acceleration: **from 500 to 13.000 g**
 Drop safety: **> 3 m**
 Environmental effects: **In accordance with MIL-STD-331 C**
 Airtightness: **Airtight**
 UN and Hazard Code: **0408 1.1D**
 Length of Fuze (max): **110 mm**
 Intrusion length (max): **41,6 mm**
 External diameter (max): **40 mm**
 Thread size: **SpW 36.18x10 threads on 25.4 mm**
 Weight of Fuze (max): **400 g**
 Weight of Booster pellet (max): **14 g**

PACKING

Packaged in plastic hermetical box and 82 pieces in a wooden case.

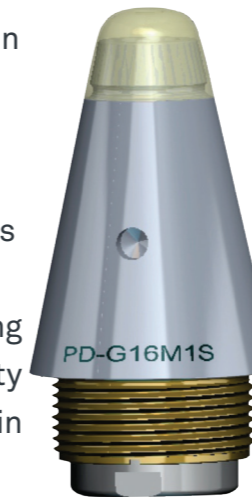
MORTAR FUZE

PD-G16M1S

The PD-G16M1S fuze is impact fuze designed for use on 60, 81, 82 and 120 mm caliber mortar HE artillery rounds.

PDG16M1S is a mechanical, nose, point detonating fuze with super-quick action and distant arming. The fuze features a highly sensitive impact mechanism and functions on solid and soft ground.

The Fuze has a safety mechanism which interrupts the initial chain making it safe during storage, handling and use. It ensures the safety and reliability of munitions in all weather conditions.



BASIC FEATURES

Action: **Super-Quick, PD (Point detonation)**
 Arming: **Inertial at a distance**
 Muzzle safety distance: **Not less than 20 m**
 Storage temperature range: **-53°C to +74°C**
 Firing temperature range: **-40°C to +54°C**
 Shelf life: **15 years**

PACKING

Packaged according to customer requirements

TECHNICAL DATA

Safety type: **In accordance with MIL-STD-1316 B**
 Acceleration: **from 5.000 to 130.000 m/s**
 Drop safety: **3 m**
 Environmental effects: **In accordance with MIL-STD-331 C**
 Airtightness: **Airtight**
 Length of Fuze (max): **90 mm**
 Intrusion length (max): **25,5 mm**
 External diameter (max): **46 mm**
 Thread size: **M38x2-g6 or according to customer request**
 Weight of Fuze (max):
 180 g (aluminum body)
 137 g (GFN3 body)
 Weight of Booster pellet (max): **11 g**

MORTAR FUZE

PD-AG17M1-SQD

Fuze PD-AG17M1-SQD is designed for use in 120mm HE and Smoke mortar bombs.

The Fuze is a mechanical, nose, point detonating fuze with selectable super quick or delayed action. Action selection by turning sleeve.

The Fuze has a safety mechanism which interrupts the initial chain making it safe during storage, handling and use. It ensures the safety and reliability of munitions in all weather conditions.

The Fuze has a highly sensitive impact mechanism and functions on solid ground, marshy ground and snow.

BASIC FEATURES

Action: **Super-Quick, Delay 0,013 - 0,027 sec**
 Arming: **Inertial at a distance**
 Muzzle safety distance: **Not less than 10 m**
 Storage temperature range: **-53°C to +74°C**
 Firing temperature range: **-40°C to +54°C**
 Shelf life: **15 years**

PACKING

The package is 82 pieces in plastic hermetic boxes in a wooden case. Dimensions of the wooden case: **518x290x297mm**



TECHNICAL DATA

Safety type: **In accordance with MIL-STD-1316 B**
 Acceleration: **min 700g**
 Drop safety: **> 3 m**
 Environmental effects: **In accordance with MIL-STD-331 C**
 Airtightness: **Airtight**
 UN and Hazard Code: **0409 1.2D**
 Length of Fuze (max): **105,7 mm**
 Intrusion length (max): **46,8 mm**
 External diameter (max): **40 mm**
 Thread size: **Spw 36,18x10 threads on 25,4mm cl.2**
 Weight of Fuze (max): **460 g**
 Weight of Booster pellet (max): **12,5 g**



MORTAR FUZE

ELECTRONIC TIME ETSQ-G16M1

The Fuze ETSQ-G16M1 is an electronic time fuze with an additional impact super quick (SQ) mode.

This fuze can be used for mortar illumination, smoke and cargo rounds of calibers 60 mm to 120 mm.

The Fuze has a safety mechanism which interrupts the initial chain making it safe during storage, handling and use. It ensures the safety and reliability of munitions in all weather conditions.



BASIC FEATURES

Action: **Electronic time - setting time to 99 s with increment 0,1 sec (SQ) Super-Quick**
 Arming: **Inertial**
 Muzzle safety distance: **Not less than 40 m**
 Storage temperature range: **-53°C to +74°C**
 Firing temperature range: **-40°C to +54°C**
 Shelf life: **10 years**
 Power supply: **Lithium reserve battery**
 Setter: **Non Contact Time-device with LCD Display**

PACKING

Packaged according to customer requirements

TECHNICAL DATA

Safety type: **In accordance with MIL-STD-1316 B**
 Acceleration: **from 600 to 13.000 g**
 Drop safety: **> 3 m**
 Environmental effects: **In accordance with MIL-STD-331 C**
 Airtightness: **Airtight**
 UN and Hazard Code: **0367 1.4S**
 Length of Fuze (max): **87 mm**
 Intrusion length (max): **16,3 mm**
 External diameter (max): **49 mm**
 Thread size: **1.5-12UNF 1A**
 Weight of Fuze (max): **270 g**
 Weight of expelling charge (max): **5 g**

ELECTRONIC MULTI-FUNCTION MF-G19M1

The MF-G19M1 fuze is a multi-function fuze designed for use on 60, 81, 82 and 120 mm caliber mortar systems, to optimize the effectiveness of HE artillery rounds.

It provides proximity, point detonating, post-impact delay and time functions.

The various operational modes and related data can be selected by the user. The fuze is inductively set by fuze setters compliant with STANAG 4187.



BASIC FEATURES

Operational mode
(settable by non-contact setter unit):
**Proximity (adjustable blocking time)
Time**
Impact (super quick)
Backup impact (super quick)
Delay (10, 50 or 150)ms*

Arming: **Inertial**
Muzzle safety distance: **Not less than 40 m**
Impact angles*: **20° to 70°**
Height of burst*: **8±7m**
Electronic safety time*: **3 s**
Time of burst*: **3.2 s to 199.9 s**
with step of 0.1 s
Storage temperature range: **-53°C to +74°C**
Firing temperature range: **-40°C to +60°C**
Power supply: **Lithium reserve battery**
Shelf life: **10 years**

* - adjustable per customer requirements

TECHNICAL DATA

Safety type:
In accordance with MIL-STD-1316 B
Acceleration: **from 600 to 13.000 g**
Environmental effects:
In accordance with MIL-STD-331 C
Airtightness: **Airtight**
Length of Fuze (max): **136 mm**
Intrusion length (max): **27 mm**
External diameter (max): **50 mm**
Thread size: **1.5"-12UNF-1A**
Weight of Fuze (max): **360 g**

PACKING

Fuze in hermetical plastic box
Sixty four (64) fuzes an a wooden case



ELECTRONIC PROXIMITY PRX-G19M1

The PRX-G19M1 fuze is a proximity fuze designed for use on 60, 81, 82, 120 and 160 mm caliber mortar systems, to optimize the effectiveness of HE artillery rounds.

It provides proximity and point detonating super quick functions.

The various operational modes and related data can be selected by the user. The fuze is inductively set by fuze setters compliant with STANAG 4187.



BASIC FEATURES

Operational mode
(settable by non-contact setter unit):
**Proximity (adjustable blocking time)
Impact (super quick)**
Backup impact (super quick)

Arming: **Inertial force at a distance**
Muzzle safety distance: **Not less than 100 m**
Impact angles*: **20° to 70°**
Height of burst*: **8±7m**
Electronic safety time*: **3 s**
Power supply: **Lithium reserve battery**
Storage temperature range: **-53°C to +74°C**
Firing temperature range: **-40°C to +60°C**
Shelf life: **10 years**

* - adjustable per customer requirements

TECHNICAL DATA

Safety type:
In accordance with MIL-STD-1316 B
Acceleration: **600 g**
Environmental effects:
In accordance with MIL-STD-331 C
Airtightness: **Airtight**
Length of Fuze (max): **136 mm**
Intrusion length (max): **27 mm**
External diameter (max): **50 mm**
Thread size: **1.5"-12UNF-1A**
Weight of Fuze (max): **360 g**

PACKING

Fuze in hermetical plastic box
Sixty four (64) fuzes an a wooden case



ELECTRONIC SETTER DEVICE (ESD)

FOR ELECTRONIC FUZE

All products and production processes are carried out with use of high quality standards for development, production and testing of weapons and military equipment, in accordance with the highest international quality standards

- ▶ SRPS ISO 9001/2015,
- ▶ MIL-STD-1316, STANAG-4187,
- ▶ MIL-STD-331 and
- ▶ MIL-STD-810.

TECHNICAL DATA

Purpose: **Selecting and setting function and parameter**

Time set up range: **Depending on the type of the electronic fuze**

Power supply: **Replaceable primary battery**

Built in function:

- Non-contact two way communication**
- Light and sound indication of setting**
- Low battery indication**
- Auto shutdown**



OTHER TRB PRODUCTS

- ▶ Despot - 4x4 armoured multi-purpose vehicle
- ▶ Drina - Small calibre ammunition production line
- ▶ MH-17 - Demining machine
- ▶ RS9 Vampir - semi-automatic 9mm pistol
- ▶ Electronic systems
- ▶ Mobile security systems
- ▶ Mobile power & water systems

For further information please contact your TRB representative or:

Tehnički Remont Bratunac
 +387 56 410 800
 info@trb.ba
 www.trb.ba



DISCLAIMER: By using or accessing this brochure, you agree with the Disclaimer without any qualification or limitation.

The information contained in this brochure is for general information purposes only and is provided without any warranties, be it expressed or implied, including but not limited to warranties of quality, purpose and/or correctness, in each case to the fullest extent permitted by law. Tehnički Remont Bratunac reserves the right to revoke, modify, alter, add, delete and/or terminate any one or more of the terms and conditions outlined in the brochure, without prior notice.

Tehnički Remont Bratunac - Podgradačka 11, 75420 Bratunac, Republika Srpska, Bosna i Hercegovina - +387 56 410 800 - info@trb.ba - www.trb.ba